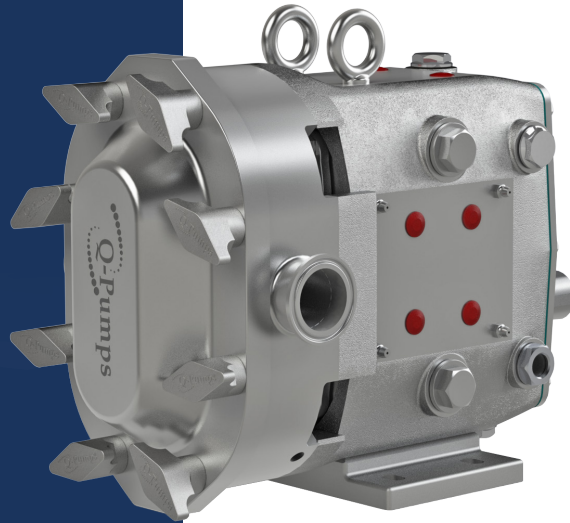


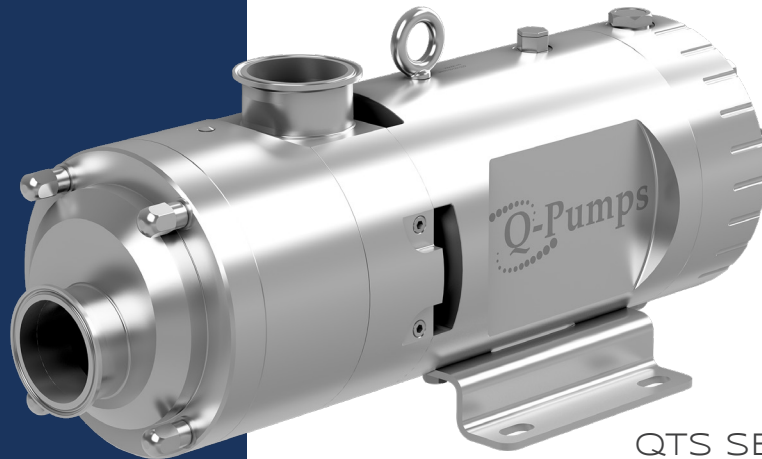
THE BEST PUMPING SOLUTIONS
FOR YOUR SANITARY APPLICATIONS



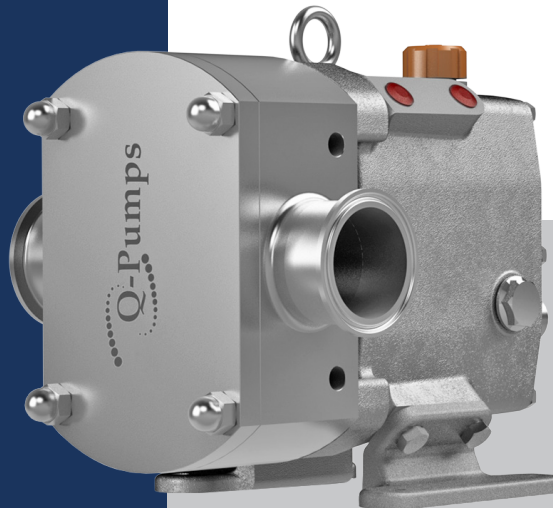
ADVANCE
PUMP
SYSTEMS
Dependability by Design



QP SERIES



QTS SERIES



QL SERIES

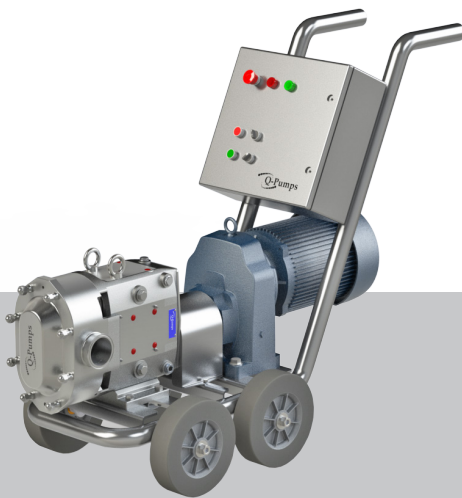
PLUG AND PLAY SOLUTIONS



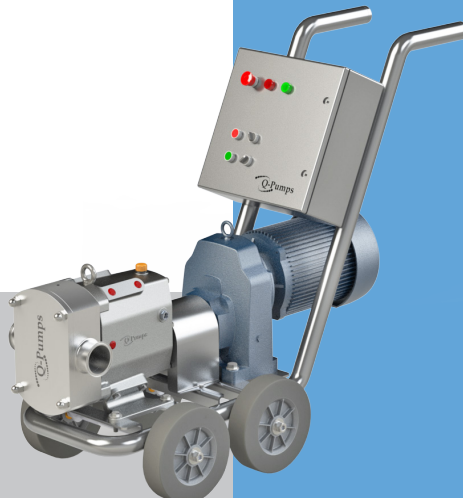
QTS TROLLEY



QDB SERIES



QP CART*



QL CART*



QC CART*

*Images for demonstration purposes only.
The product may vary, ask your distributor for details.

ABOUT US

Since 1997, Q-Pumps has been dedicated to the development and manufacturing of sanitary pumping equipment in order to provide the best solutions for the food, beverage, cosmetic and pharmaceutical industries.

We serve applications in 54 countries, with the perfect combination of technology and a highly skilled team of experts, with whom we are able to exceed the expectations of our costumers requirements around the world.

MATERIALS

All our products are built in Stainless Steel Series 300. The parts that have contact with the pumped product are 316L and the rest 304. In this way we guarantee the quality and durability of our products.

SPECIAL REQUEST

We manufacture pumps under any customer specification. From a special type of connection in the suction and discharge to different surface finishes.

Currently we offer in all our pump lines different port types like Sanitary Clamp, Bevel Seat, NPT, Flanged, SMS, DIN, etc.

The standard surface finish of the pumps is a maximum of 32 $\mu\text{m Ra}$. Additionally they can be sandblasted or electropolished upon request.

SPARE PARTS

We offer spare parts compatible with many of the major brands on the market.

GROWTH

Since 2020 Q-Pumps has a new home in Houston, Texas, and from this location we serve the North American Market.

In Mexico we have installed a new electropolishing plant, we are very excited to continue serving our costumers with the quality, service and lasting performance of our products.



QTS



QP



QL



QIS



QC



mixers

REFERENCE DATA

	Q	μ	P	T
	FLOW	VISCOSITY	PRESSURE	TEMPERATURE
QTS	850 gpm / 3218 lpm	up to 1 000 000 cP	362 psi / 25 bar 836 ft / 255 m	120 °C / 248 °F
QP	452 gpm/ 1711 lpm	up to 1 000 000 cP	500 psi / 34.5 bar 1155 ft / 352 m	150 °C / 302 °F
QL	228 gpm/ 864 lpm	up to 1 000 000 cP	290 psi / 20 bar 870ft / 204 m	150 °C / 302 °F
QIS*	1200 gpm / 4542 lpm	up to 800 cP	145 psi / 10 bar 334 ft / 102 m	200 °C / 392 °F
QC	1200 gpm / 4542 lpm	up to 600 cP	130 psi / 9 bar 300 ft / 91 m	120 °C / 248 °F
QIM/ QDB	420 gpm / 1590 lpm	up to 600 cP	85 psi / 5.85 bar 196 ft / 60 m	120 °C / 248 °F
QVM	90 gpm / 340 lpm	up to 100 000 cP	85 psi / 5.85 bar 196 ft / 60 m	120 °C / 248 °F
QDU	60 gpm / 227 lpm	up to 1 000 000 cP	300 psi / 21 bar 693 ft / 211 m	120 °C / 248 °F

Technical data shown here is for commercial reference.
This information may change according to the application.

*QIS 4410 and 6410 available soon.



850 gpm /
3218 lpm



up to 1 000 000 cP

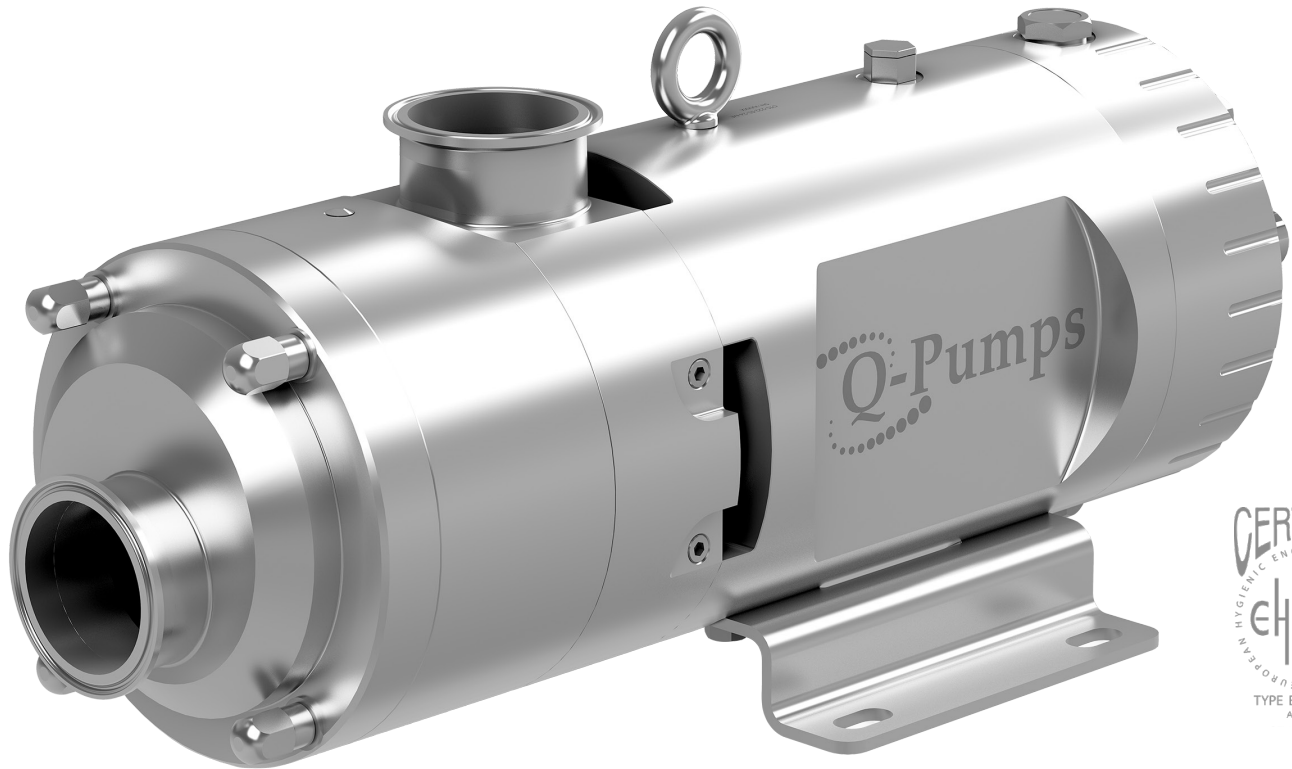


362 psi / 25 bar
836 ft / 255 m



120 °C
248 °F

CHARACTERISTICS



- Gentle product pumping
- Superior handling of suspended solids
- Constant flow, free of pulsations
- Process and CIP with the same equipment
- Bidirectional
- Ideal for abrasive products
- Built in 100% Stainless Steel
- Speeds up to 3500 rpm
- No dead-zones and 100% drainable
- Wet parts in SS 316L
- Easy assembly
- 32 μin (0.8 μm) Ra maximum surface finish

APPLICATIONS





DIFFERENT SIZES

QTS-100

Front and Top ports:
1.5", 2"
40, 50 mm

NEW!



Dosing Pump QTS-025

Front and Top ports:
1/2", 3/4", 1"
15, 20, 25 mm

* Ideal for dosing or low flow applications

QTS-300

Front and Top ports:
3", 4"
80, 100 mm

QTS-200

Front port: 2", 2.5", 3"
50, 65, 80 mm

Top Port: 2", 2.5"
50, 65 mm

NEW!

QTS-400

Front and Top ports:
4", 6"
100, 150 mm

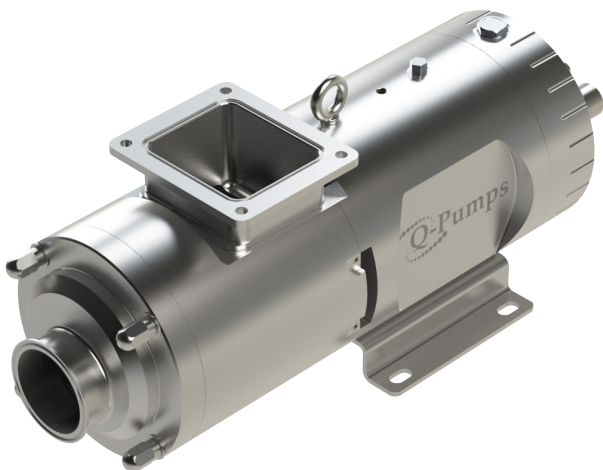
QTS-350

Front port: 4", 6"
100, 150 mm

Top Port: 3", 4"
80, 100 mm

RECTANGULAR INLET

**NEW
PRODUCT**

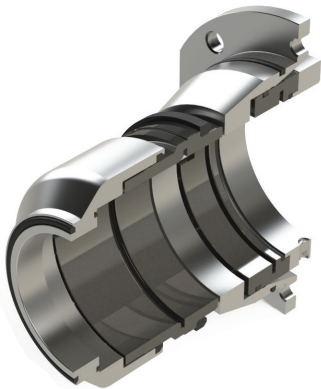


- Ideal for pasty products with high viscosities (100 000 to 1 000 000 cP)
- Ideal for products with high air or gas content
- Ideal for applications with low NPSH
- CIP capable

PERFORMANCE

	Maximum Capacity				Port Sizes		Maximum Differential pressure	Viscosity	Temperature
	gpm		lpm		in	DN mm			
	Process Flow	CIP Flow	Process Flow	CIP Flow					
QTS 025	8	16	30	60	1/2", 3/4", 1"	15, 20, 25	150 psi/10bar	1 000 000 cP 248 °F (120°C)	
QTS 100	35	70	132	265	1.5"/2"	40, 50	260 psi/18bar		
QTS 200	93	185	352	700	2", 2.5", 3"	50, 65, 80	360 psi/25 bar		
QTS 300	223	405	844	1533	3", 4"	80, 100			
QTS 350	399	642	1510	2430	3", 4", 6"	80, 100, 150			
QTS 400	570	850	2158	3218	4", 6"	100, 150			

AVAILABLE SEALS



Mechanical
(Single & Double)

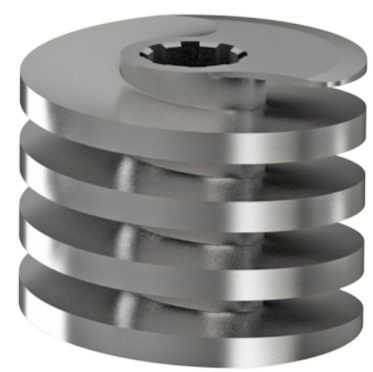


O-Ring
(Single & Double)



Lip Seal

With different screw options for soft solids handling, different pressures and flow requirements





Q 452 gpm /
1711 lpm

μ up to 1 000 000 cP

P 500 psi / 34.5 bar
1155 ft / 352 m

T 150 °C
302 °F



QP1 SERIES



QP2 SERIES

CHARACTERISTICS

- Ideal for high pressures with low and high viscosity products
- Interchangeable with other circumferential piston pumps
- Stronger shafts made on 17-4 PH
- Stainless steel bearing housing
- Helical gears for extended service life and lower noise
- Different options of mechanical seals, single or double
- Bearing housing designed to be mounted in four positions
- Alloy 88 Rotors for tight clearances
- Cover and housing made of 316L stainless steel
- 32 μin (0.8 μm) Ra maximum surface finish

APPLICATIONS





CROSS REFERENCE

Q-Pumps

Other Brands

QP1

Universal 1/ZP1 / TRA 10

QP2

Universal 2 /ZP2 / TRA 30

To see the compatibility and equivalences with other brands, visit our website in the Cross Reference section:
http://www.q-pumps.com/cross_reference.php

QP1 PUMP PERFORMANCE

Model QP1	Nominal Capacity		Displacement		Maximum Differential Pressure		Standard Port Size		Optional Port Size		Maximum Speed rpm	Temperature Range	
	gpm	lpm	Gal/Rev	L/Rev	psi	bar	in	DN mm	in	DN mm		°F	°C
6	7	24.8	0.0082	0.031	200	13.8	1"	25	1 1/2"	40	800	-40° a 300°	-40° a 149°
15	10	37.6	0.0142	0.054	200	13.8	1 1/2"	40	-	-	700		
18	17	65.9	0.029	0.110	200	13.8	1 1/2"	40	2"	50	600		
30	36	136.6	0.060	0.227	200	13.8	1 1/2"	40	2"	50	600		
40	46	172.6	0.076	0.228	150	10.3	2"	50	2 1/2"	65	600		
60	92	347.5	0.153	0.579	200	13.8	2 1/2"	65	3"	80	600		
130	152	576.8	0.254	0.961	200	13.8	3"	80	-	-	600		
220	313	1185.5	0.522	1.976	200	13.8	4"	100	-	-	600		
320	452	1712.3	0.754	2.854	200	13.8	6"	150	-	-	600		

Rectangular Inlet Option

	Nominal Capacity		Displacement		Maximum Differential Pressure		Rectangular Inlet (WxL)		Discharge Port Size		Maximum Speed rpm	Temperature Range	
	gpm	lpm	Gal/Rev	L/Rev	psi	bar	in	mm	in	DN mm		°F	°C
34	24	90.8	0.060	0.227	200	13.8	1.75 x 6.75	44 x 171	2"	50	400	-40° a 300°	-40° a 149°
64	61	231.6	0.153	0.579	200	13.8	2.24 x 8.82	57 x 224	2 1/2" (3")	65 (80)	400		
134	102	384.6	0.254	0.961	200	13.8	2.97 x 9.25	75 x 235	3"	80	400		
224	208	788.8	0.521	1.972	200	13.8	3.78 x 11	98 x 279	4"	100	400		
324	301	1139.2	0.754	2.854	200	13.8	5.00 x 17.38	127 x 441	6"	150	400		

QP2 PUMP PERFORMANCE

Model QP2	Nominal Capacity		Displacement		Maximum Differential Pressure		Standard Port Size		Optional Port Size		Maximum Speed rpm	Temperature Range	
	gpm	lpm	Gal/Rev	L/Rev	psi	bar	in	DN mm	in	DN mm		°F	°C
6	8	1.0	0.0082	0.031	300	20.7	1"	25	1 1/2"	40	1000	-40° a 300°	-40° a 149°
15	11	43.0	0.0142	0.054	250	17.2	1 1/2"	40	-	-	800		
18	20	76.8	0.029	0.110	200	13.8	1 1/2"	40	2"	50	700		
30	36	136.3	0.060	0.227	250	17.2	1 1/2"	40	2"	50	600		
40	46	172.6	0.076	0.288	150	10.3	2"	50	2 1/2"	65	600		
45	59	222.6	0.098	0.371	450	31.0	2"	50	-	-	600		
60	92	347.5	0.153	0.579	300	20.7	2 1/2"	65	3"	80	600		
130	152	576.8	0.254	0.961	200	13.8	3"	80	-	-	600		
180	228	863.0	0.380	1.438	450	31.0	3"	80	-	-	600		
210	301	1140.0	0.502	1.900	500	34.5	4"	100	-	-	600		
220	313	1185.5	0.522	1.976	300	20.7	4"	100	-	-	600		
320	452	1712.3	0.754	2.854	300	20.7	6"	150	-	-	600		

Rectangular Inlet Option

	Nominal Capacity		Displacement		Maximum Differential Pressure		Rectangular Inlet (WxL)		Discharge Port Size		Maximum Speed rpm	Temperature Range	
	gpm	lpm	Gal/Rev	L/Rev	psi	bar	in	mm	in	DN mm		°F	°C
34	24.0	90.8	0.060	0.227	250	17.2	1.81 x 6.84	44 x 174	2"	50	400	-40° a 300°	-40° a 149°
64	61.2	231.6	0.153	0.579	300	20.7	2.44 x 9.0	62 x 229	2 1/2" (3")	65 (80)	400		
134	101.6	384.6	0.254	0.961	200	13.8	3.19 x 9.38	81 x 238	3"	80	400		
224	208	788.8	0.521	1.972	300	20.7	4.06 x 11.25	103 x 278.6	4"	100	400		
324	301	1139.2	0.752	2.847	300	20.7	4.25 x 12.7	108 x 322.5	6"	150	400		



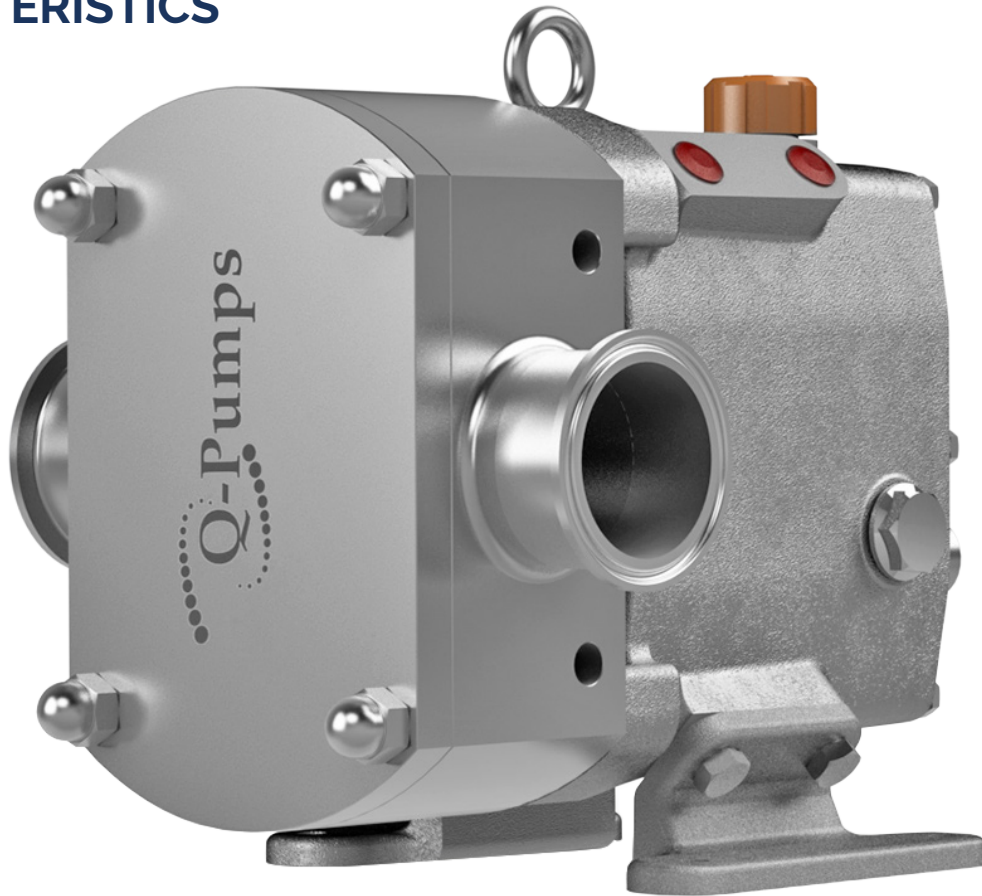
Q 228 gpm /
864 lpm

μ up to 1 000 000 cP

P 290 psi / 20 bar
670 ft / 204 m

T 150 °C
302 °F

CHARACTERISTICS



- 3-A Certified and designed to comply with EHEDG standards
- Front access seal that provides quick cleaning and less downtime
- Standard Bi-Wing rotors for better performance
- Multiple rotor options available
- Stainless steel 316L
- 32 μin (.8 μm) Ra maximum surface finish
- Different types of seals for each application
- Tri-Clamp connections as standard. Other connections available

APPLICATIONS



QL Series	Model	Displacement			Standard Connection Size		Maximum Differential Pressure		Maximum Speed
		Liters / per rev.	lpm	gpm	DN mm	in	bar	psi	rpm
QL-A	QL-A10	0.050	50.0	13.2	25	1.0	20	290	1000
	QL-A15	0.120	96.0	25.4	40	1.5	12.1	175	800
	QL-A20	0.210	168.0	44.4	50	2.0	7.9	115	800
QL-B	QL-B20	0.410	287.0	75.8	50	2.0	12.1	175	700
	QL-B25	0.620	434.0	114.7	65	2.5	7.9	115	700
QL-C	QL-C30	1.020	612.0	161.7	80	3.0	12.1	175	600
	QL-C40	1.440	864.0	228.3	100	4.0	7.9	115	600

ADVANTAGES

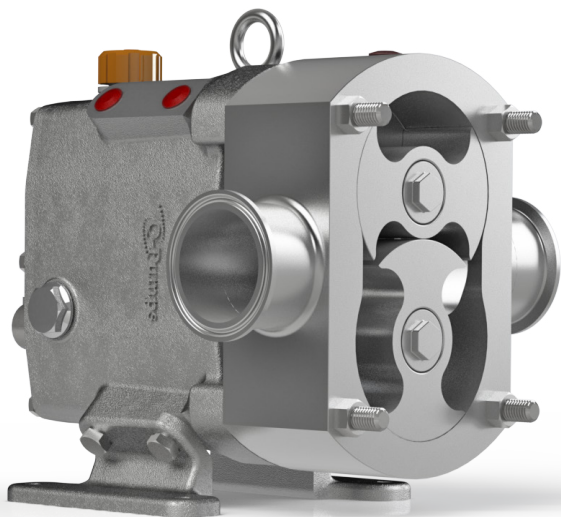
- Low cost with excellent performance
- Front access that allows quick cleaning
- Four rotor types to best suit a wide range of product types



Bi-Wing Rotor:
Standard



Tri-Lobe Rotor



COVER OPTIONS

- Cover with pressure relief valve
- Jacketed cover and / or housing



QIS SERIES

NEW INTERNAL SEAL CENTRIFUGAL PUMP



Q 1200 gpm /
4542 lpm

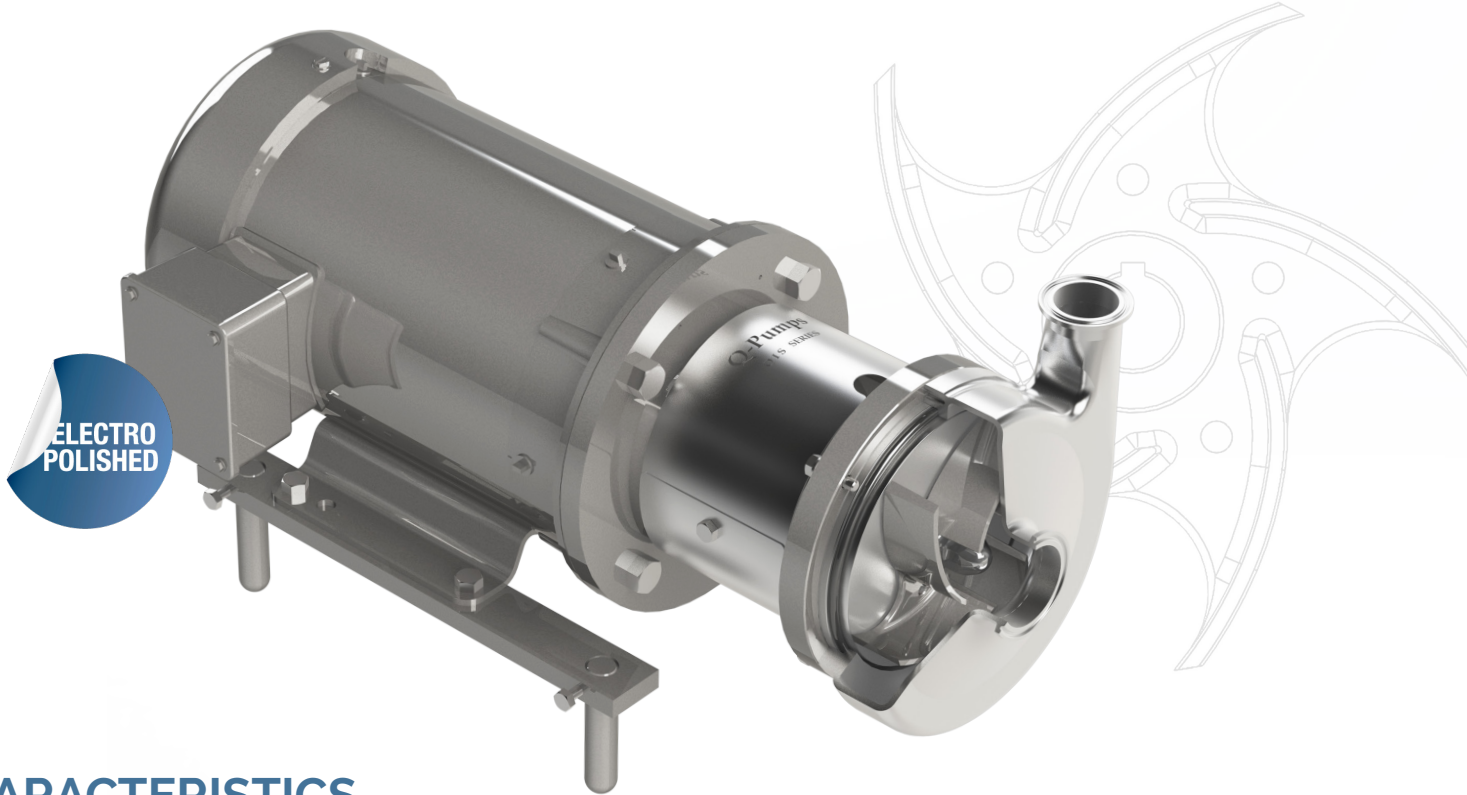
μ up to 800 cP

P 145 psi / 10 bar
334 ft / 102 m

T 200 °C
392 °F

NEW SANITARY CENTRIFUGAL PUMP WITH AN INTERNAL SEAL

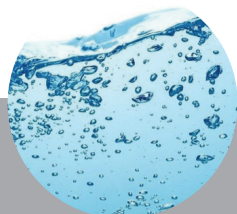
Ideal for sanitary as well as non-sanitary applications, perfect for the food, beverage and pharmaceutical industries. *Completely redesigned for greater efficiency and hygiene.*



CHARACTERISTICS

- Designed to comply with 3A and EHEDG Standards
- Double mechanical seal option available
- New backplate design
- Improved hygienic design
- Wet parts in Stainless Steel 316L
- Electropolished surface finish in wet parts
- Different port options
- Volute casing and semi open impeller for greater efficiency
- Fully drainable with discharge port at 90° or with drain port option
- Premium Efficiency Motor

APPLICATIONS





QC SERIES

EASY ASSEMBLY AND HIGH-FLOW CENTRIFUGAL PUMP



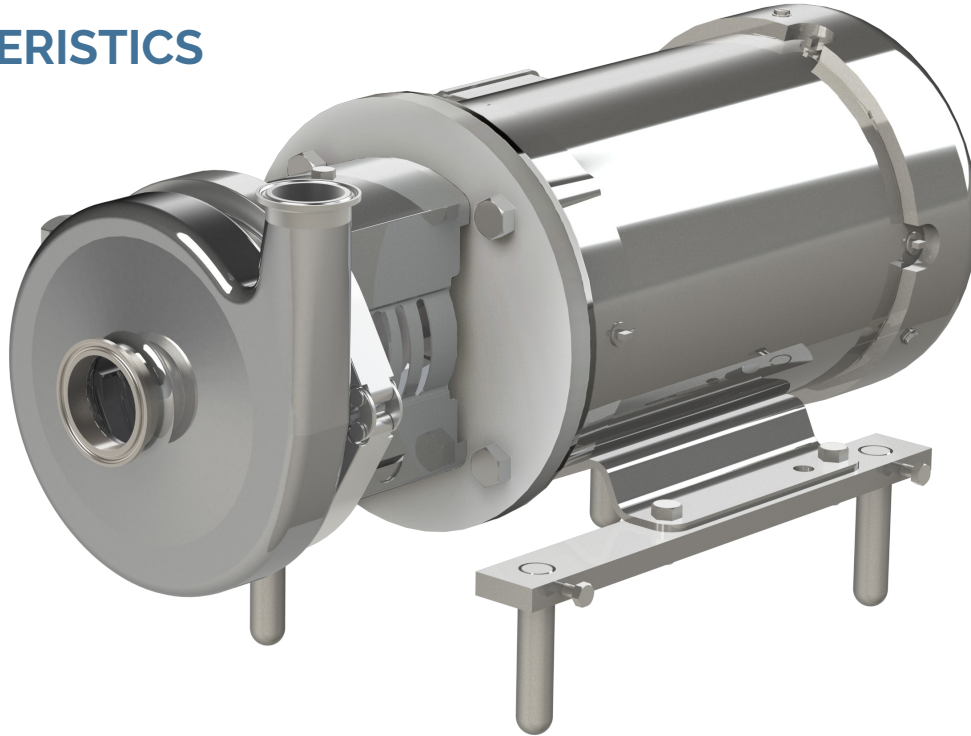
Q 1200 gpm /
4542 lpm

μ up to 600 cP

P 130 psi / 9 bar
300 ft / 91 m

T 120 °C
248 °F

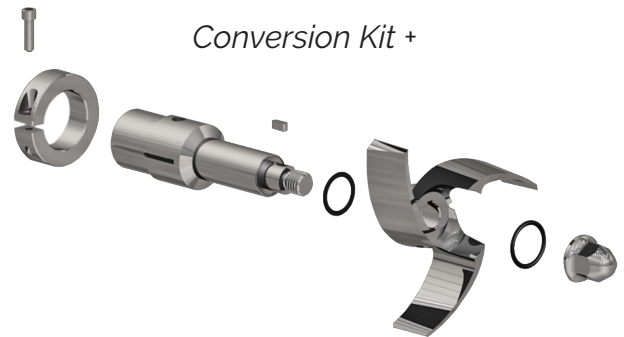
CHARACTERISTICS



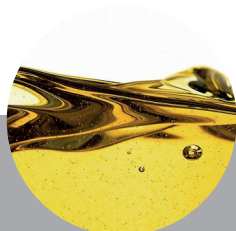
- Wet parts in Stainless Steel 316L
- NEMA and IEC standards available
- Open impeller
- 32 μin (.8 μm) Ra maximum surface finish
- Volute casing with suction in the center
- Brackets and legs in stainless steel

QC+ SERIES

- Easy assembly
- Gives better support when the stub shaft is mounted with the collar (vs other brands)
- Rotor fastened with key and sanitary cap nut
- Any C Series can be converted to a QC + with a "Kit +"



APPLICATIONS





MIXERS SERIES - QIM

IN-LINE MIXERS



Q 420 gpm
1590 lpm

μ up to 600 cP

P 85 psi / 5.85 bar
196 ft / 60 m

T 120 °C
248 °F

THE MOST EFFICIENT AND VERSATILE IN-LINE MIXER IN THE MARKET



CHARACTERISTICS

- Competitive price
- Interchangeable backplates for each application
- Easy installation and operation
- Front loading internal seal to facilitate maintenance

AVAILABLE BACKPLATES



Straight radial slots

For powder mixing and lump disintegration

- Type 1 (1/8")
- Type 2 (3/16")
- Type 3 (1/4")



Inclined radial slots

For hard solids crushing

- Type 4 (1/8")
- Type 5 (3/16")
- Type 6 (1/4")



Inclined eccentric grooves

For crushing hard solids

- Type 7 (1/8")
- Type 8 (3/16")
- Type 9 (1/4")



Small radial holes

For emulsification

- Type 10 (1/8")
- Type 11 (3/16")
- Type 12 (1/4")

Sizes:

- QIM+214
- QIM+316,
- QIM+318
- QIM+428



Big radial holes

For chopping soft solids into smaller particles

- Type 13 (3/8")
- Type 14 (5/8")
- Type 15 (7/8")



MIXERS SERIES - QDB

DRY BLENDERS



Q 420 gpm /
1590 lpm

μ up to 600 cP

P 80 psi / 5.5 bar
182 ft / 55 m

T 120 °C
248 °F



POWDER SUCTION RATE*

Model	kg/hr	lb/hr
214	2 580	5 688
316	3 300	7 275
318	4 860	10 714
428	18 000	39 683

* Subject to powder properties

CHARACTERISTICS

The Q-Pumps **Dry Blender QDB**, consists in an **In-line Mixer QIM** coupled to a table with a hopper and integrated valve for operator's convenience.

- Stainless Steel Hopper
- Front loading seal to facilitate maintenance
- Stainless steel table
- Wheels with brakes

APPLICATIONS



- Homogenization
- Powder mixing



- Emulsification
- Adding flavors



- Disintegration of solids
- Dissolution





MIXERS SERIES - QVM

HIGH VISCOSITY MIXERS



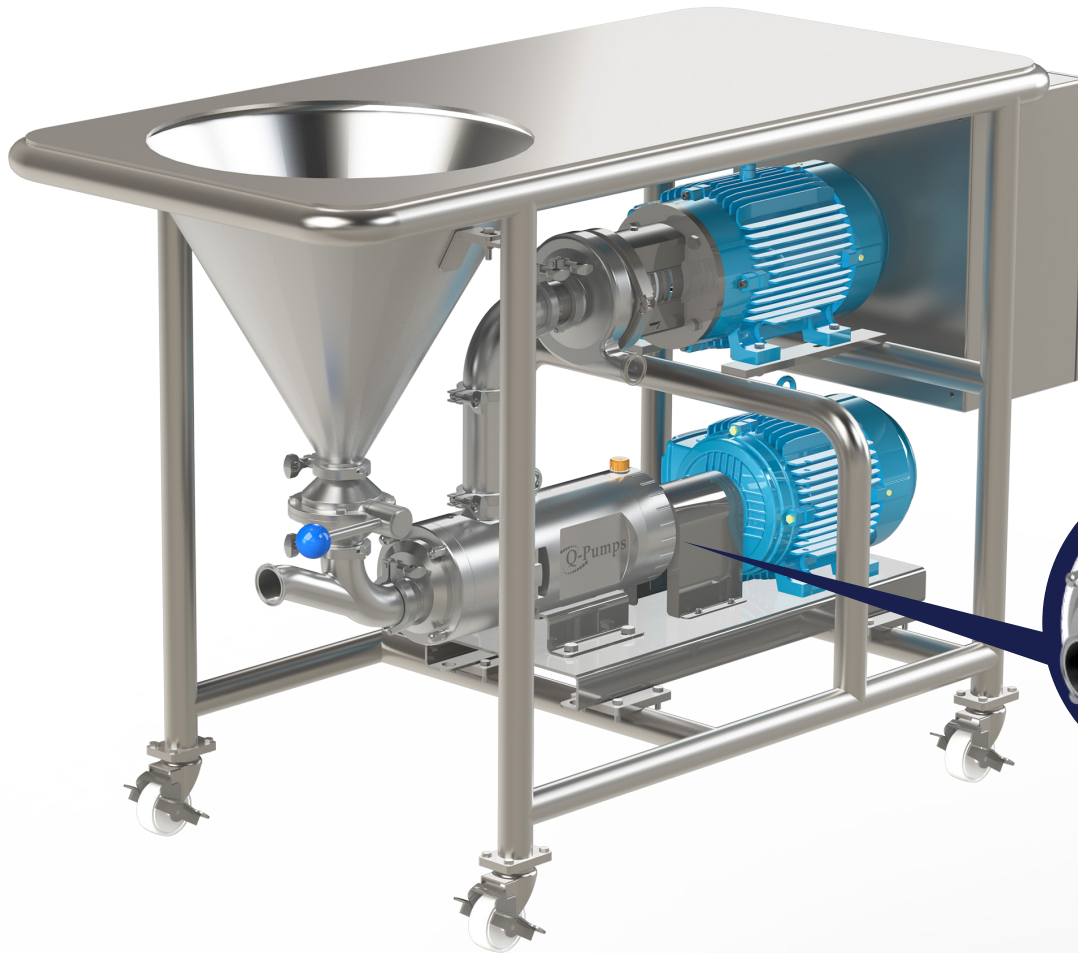
Q 90 gpm /
340 lpm

μ up to 100 000 cP*

P 85 psi /5.85 bar
196 ft / 60 m

T 120 °C
248 °F

* Subject to fluid properties



QTS Twin
Screw Pump

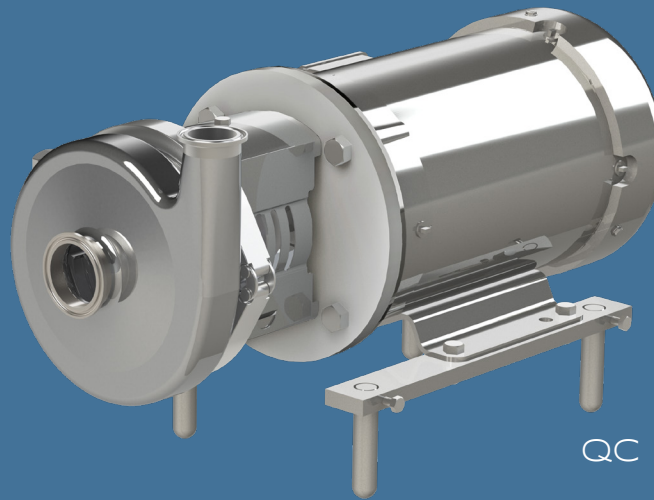
The QTS pump creates the required suction for powders and liquids, making the mixing process inside the QIM pump faster and easier.

THE PERFECT MIXER FOR HIGH VISCOSITY PRODUCTS

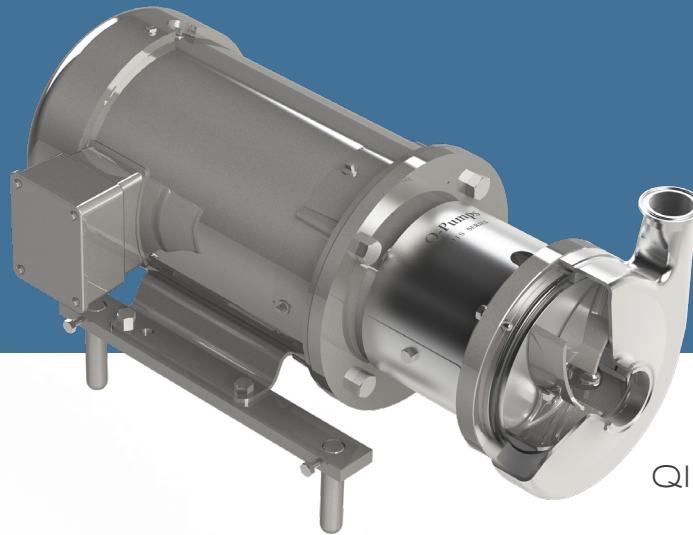
APPLICATIONS



MORE THAN 24 YEARS MANUFACTURING CENTRIFUGAL PUMPS
TO SERVE THE CANADIAN AND UNITED STATES MARKETS



QC SERIES



QIS SERIES



Q-Pumps, Inc.

1220 Bammel Rd.
Houston Tx. 77023
sales@qpumps.com

Distributed by:



**ADVANCE
PUMP
SYSTEMS**

Dependability by Design

Ph: +61 3 451 089 30 advancepump.com.au
sales@advancepump.com.au